

SIGNUM 16

SPECIFICATION SHEET
STATIC WHITE

PERFORMANCE-DRIVEN CYLINDER

Housing

Diameter : Ø15.9" | Height : 13.6"

Weight : 27.5 lbs (115W), 28.6 lbs (145W), 30.3 lbs (195W)

Material

Housing: High Pressure Die-Cast Aluminum

Lens: Clear Polycarbonate

Power Input

115W, 145W, 195W | 120-277V

Lumen Output

14,290 lm (115W), 16,780 lm (145W), 23,000 lm (195W)

Dimming

Standard 0-10V: Dims to 10%

Superior 0-10V: Dims to 1%

DMX: High resolution dims to 0.1% (Supports ANSI E1.20 RDM protocol)

Color Quality

CRI 85

Rated Life

> 100,000 Hours (L70)

Finish



Black



White

Color Temperature



3000K



4000K



5000K

Optics



40°



60°



Wide

Mounting



Stem
Mount



Adjustable
Cable



Bracket

Warranty

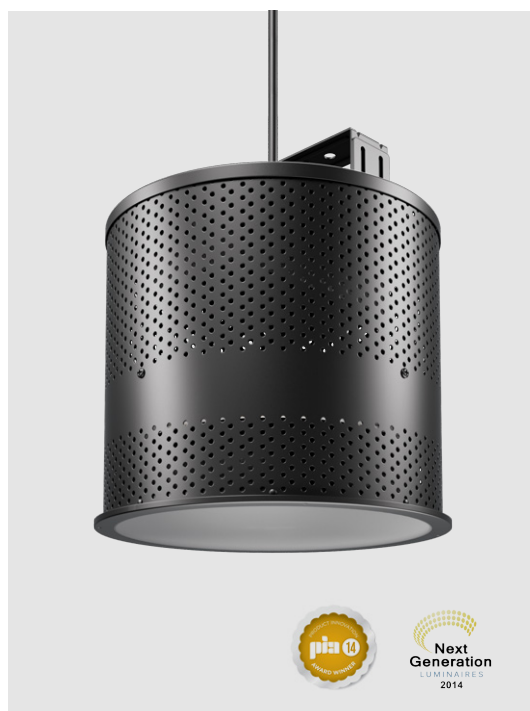
5 Year limited warranty

Listing



Timeless Design, Bold Performance

The Signum 16 redefines high-ceiling lighting, seamlessly merging classic aesthetics with cutting-edge technology. Renowned for its enduring design and transformative impact, this award-winning luminaire is a powerhouse, delivering up to 23,000 lumens with advanced dimming capabilities. Its robust construction and versatile functionality make it an ideal solution for corporate, retail, and architectural spaces, ensuring unmatched illumination and long-lasting reliability.



METEOR

meteor-lighting.com

SPECIFICATION

PROJECT NAME

DATE

CATALOG #

QUANTITY

The product configurator function on this page works only with the latest version of Chrome or Adobe Acrobat Reader.

<input type="checkbox"/> SS16	MODEL	SIGNUM 16		
<input type="checkbox"/>	WATTAGE	115 115W	145 145W	195 195W
<input type="checkbox"/>	CCT / CRI	308 3000K / CRI 85	408 4000K / CRI 85	508 5000K / CRI 85
<input type="checkbox"/> UNV	VOLTAGE	UNV 120 – 277V		
<input type="checkbox"/>	DIMMING	NOD Non-Dimming DMX DMX dims to 0.1% (XLR Sockets)	STV Standard 0-10V dims to 10%	SPV Superior 0-10V dims to 1%
<input type="checkbox"/>	BEAM ANGLE	40 40°	60 60°	WD¹ Wide
<input type="checkbox"/>	FINISH	BLK Black	WHT White	
<input type="checkbox"/>	MOUNTING	BRK Bracket Mount AD10 Adjustable Cable 10ft	ST2 Stem 2ft	ST4 Stem 4ft
<input type="checkbox"/>	ACCESSORIES	SPD² Surge Protector WG³ Wire Guard (IK10 Rating)	EMP Remote Emergency Pack CT⁴ Conduit Mount	FCS Field Cut Stem Adapter Kit

CLEAR FORM

¹ WD option reduces delivered lumens by ~20%

² Surge protector for up to 10KV. Applicable for unstable mains or facilities using high power machineries

³ WG option reduces delivered lumens by ~14%

⁴ Option is not compatible with BRK

TECHNICAL DETAILS

Electrical

- 14,290 lm (115W), 16,780 lm (145W), 23,000 lm (195W)
- Power Input: Universal (120-277V)
- Operating Temperature: -40°F~113°F
- Surge Protection: Built-in is 4KV
- Power Factor Greater than 0.9
- Remote Emergency Pack: Bodine BSL20B2UEK55C111

LED Features

- Color Temperature: 3000K, 4000K, 5000K
- CRI 85
- Long lasting LED luminaire tested under TM21 lumen maintenance L70 @ 100,000 Hrs

Optics

- Precision molded high transmittance clear PC lens
- Beam Angle: 40°, 60°, WD

Advanced Dimming

- Proprietary VX Driver™ is integrated across all dimming options, delivering video flicker-free performance and full compliance with IEEE 1789.
- Standard 0-10V: Dims to 10%
- Superior 0-10V: Dims to 1%
- DMX: High resolution dims to 0.1% (Supports ANSI E1.20 RDM protocol)

Housing

- Diameter: Ø15.9"
- Height: 13.6"
- Material: High Pressure Die-Cast Aluminum, PC Lens
- Weight: 27.5 lbs (115W), 28.6 lbs (145W), 30.3 lbs (195W)

Mounting

- Bracket Mount
- Stem 2ft or 4ft; 37° Swivel Canopy Included
- Adjustable Cable 10ft

Warranty

- 5-year limited warranty

Listing

- ETL Dry Location Listed
- CE
- FCC
- IK10

PERFORMANCE SUMMARY*

Delivered Lumens			
CCT/WATTAGE	3000K	4000K	5000K
115W	13,400lm	14,000lm	14,290lm
145W	15,730lm	16,400lm	16,780lm
195W	21,560lm	22,540lm	23,000lm

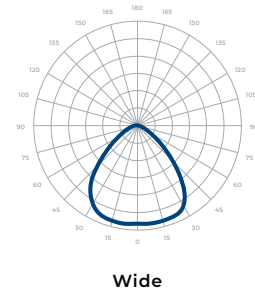
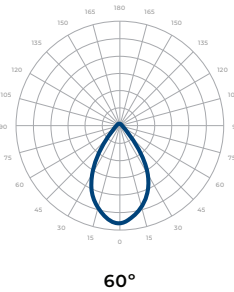
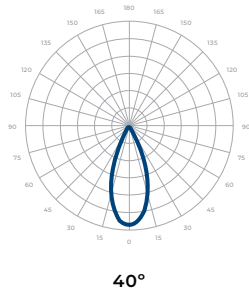
Current Consumption		
WATTAGE / VOLT	120V	277V
115W	1.26A	0.54A
145W	1.57A	0.68A
195W	1.89A	0.82A

*Beam Angle: 25° *Tolerance ±8%

Emergency Pack Lumen Output Table			
CCT	3000K	4000K	5000K
LUMEN	1,760lm	1,890lm	1,950lm

PHOTOMETRICS

Below is a typical photometric representation of the Signum 16 fixture. Please download IES files to ensure exact photometric value.

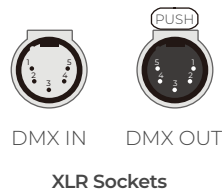


DMX REQUIREMENTS

The Signum 16 fixture with DMX is a **single channel dmx** unit. When placing an order, please indicate DMX address. (The DMX address will be listed on the back of the fixture). Do not connect more than 32 fixtures per DMX daisy chain.

The fixture can be connected with XLR sockets. DMX cables **are not** included; please refer to compatible DMX cabling list for more information. The final fixture on each daisy chain should be terminated by the use of a DMX terminator purchased from a 3rd party or from Meteor.

CONNECTION	5-PIN XLR
Common	PIN 1
Signal -	PIN 2
Signal +	PIN 3
Spare	PIN 4
Spare	PIN 5

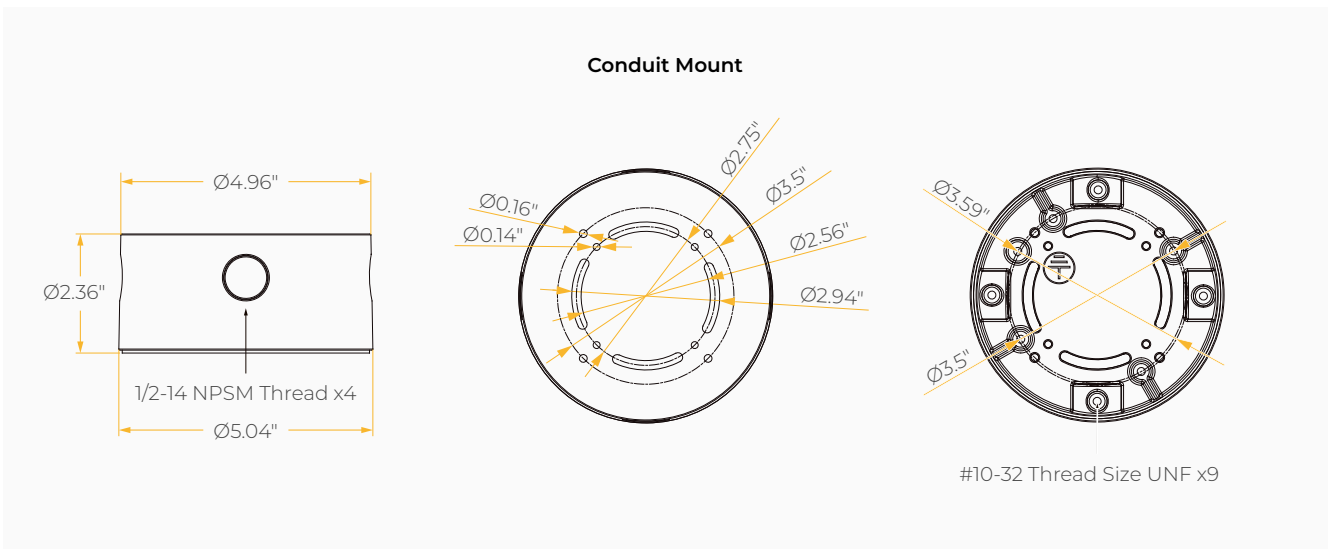
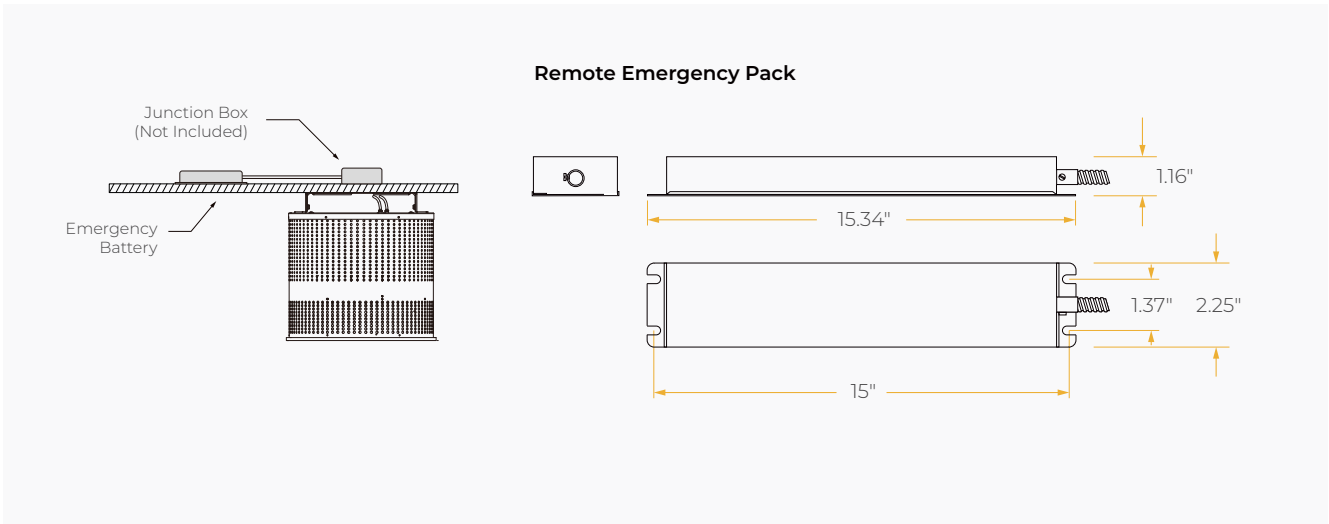
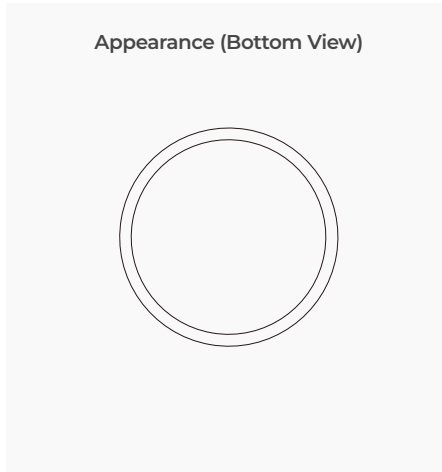
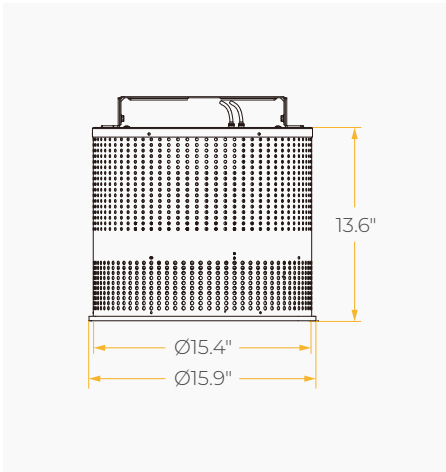


COMPATIBLE DMX CABLING LIST

DMX uses a cable consisting of two twisted pairs plus a shield to carry data. The cable must be specifically impedance matched for the digital DMX signal, meaning that microphone cable or other non-rated cable **must not be used to carry DMX**. Network cable (Cat5, 5e or 6 cable) may be used to carry DMX in an installation; however special consideration must be given to shielding and termination. Under no circumstances should solid core cable like Cat5 be terminated into a screw down connector.

Meteor recommends the use of Belden 9729 or Belden 9841 for DMX installation. Belden 9729/9841 is a two pair cable, which allows for a spare pair for 'out and back' type terminations if needed. Below is a list of other compatible Belden cables.

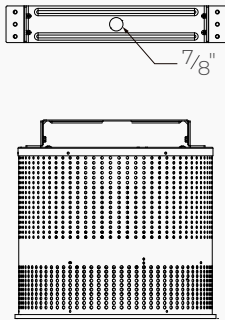
DIMENSIONS



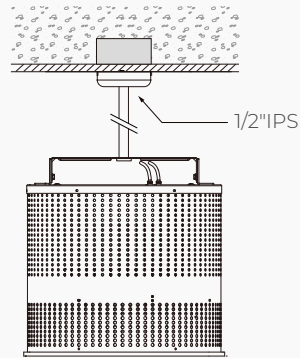
MOUNTING OPTIONS*

*Junction Box not included

Bracket Mount



Stem Mount



Adjustable Aircraft Cable

